

PREMISE

LED TRADITIONAL WALL PACK 40W / 277-480V #WP5-404-2



10

10 YEAR WARRANTY



PHILIPS LUMILEDS

DESCRIPTION

The WP5 Series is our latest LED Traditional Wall Pack using a sealed, aluminum alloy design with industry-leading LED chips and drivers to deliver a quality, energy saving solution. With an easy to install, contractor friendly design that fits directly onto existing electrical boxes, they are the ideal solution for replacing older high pressure sodium and metal halide wall packs found on building perimeters, exterior walls, parking lots, and walkways.

POPULAR APPLICATIONS



BUILDING PERIMETERS



WALKWAYS

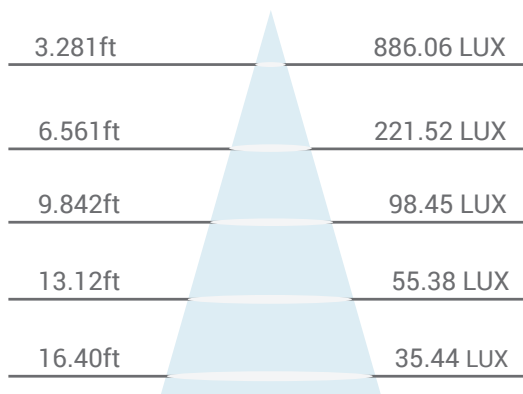
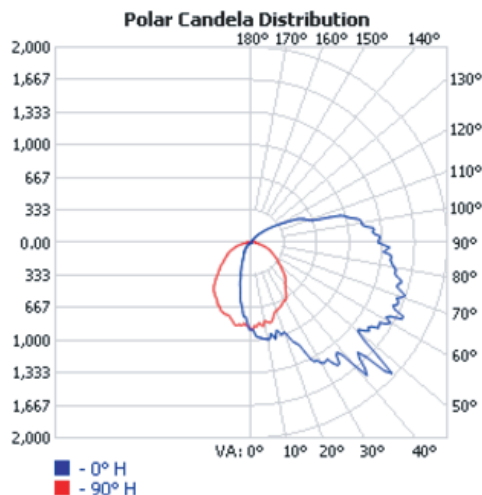
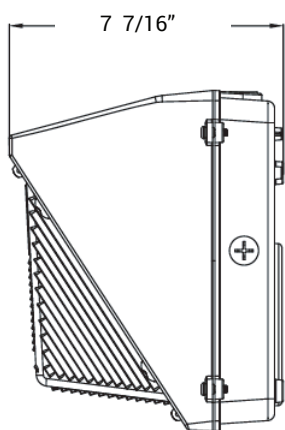
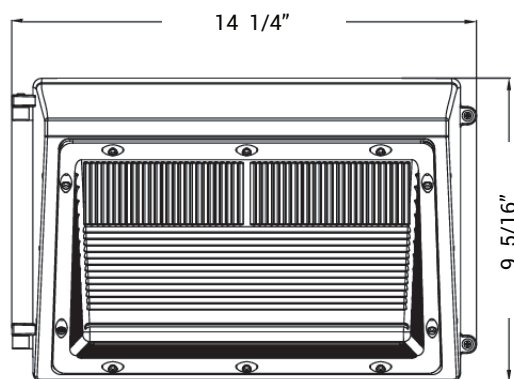


EXTERIOR WALLS



PARKING LOTS

PRODUCT DIMENSIONS / PHOTOMETRIC SPECS / ILLUMINANCE AT A DISTANCE



TECHNICAL DATA

LIGHT SPECIFICATIONS

Lumens	4653
CCT	4000K
Efficacy	123.31 lm/W
Power Factor	0.959
CRI	≥73.2
Beam Angle	110°
Replaces	up to a 150W H.P.S. / M.H.

DRIVER

Brand	Inventronics
Driver Type	Constant Current

HOURS

Rated Hours	50,000
-------------	---------------

ELECTRICAL

Wattage	40W
System Watts	37.7W
Input Voltage	277-480V
THD	<18%

CONSTRUCTION

Housing Material	Alloy Aluminum
Lens Material	Glass
Color	Bronze
IP Rating	IP65

LED CHIP

Chip Brand	LUMILEDS
Chip Type	SMD3030

TEMPERATURE

Minimum Start	-40°C
Ambient Temp	40°C

DIMENSIONS & WEIGHT

Dimensions	14 1/4" x 9 5/16" x 7 7/16"
Weight	4.4 KGS

APPROVALS & LISTINGS

cUL	IFAM7.E473127
DLC Listed	PDBPRHXU
IESNA	LM-79 & LM-80