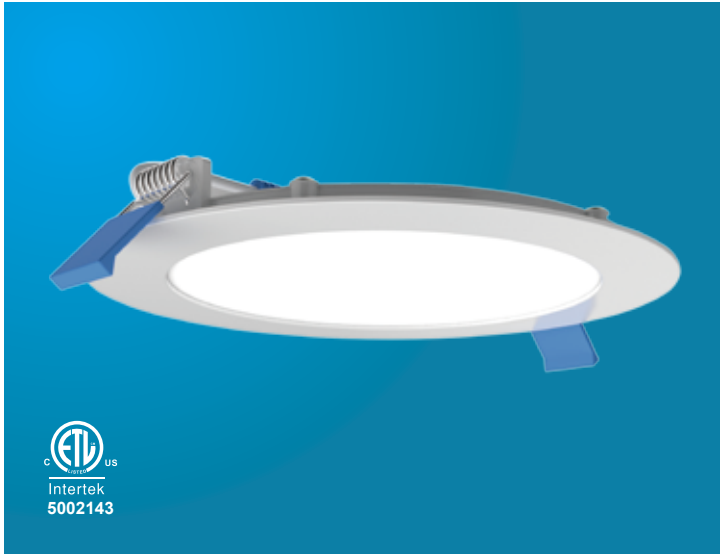


Shenzhen LanHe Lighting Co.,Ltd.
 3F, 5F, No. A Bulding Plant, No 12 Jingshan Road
 Luotian, Songgang Town, Baoan District, Shenzhen China

01 LED Slim Downlight PARAMETER



Product Name	LED Slim Downlight
Model:	KDN-YCB-17-M13W-90
Driver:	Dimmable driver
Power:	13W
Voltage:	120Vac 50/60HZ
Product Size:	Φ170*25mm
Cri:	Ra>90
C C T:	2700K 、 3000K 、 4000K 、 5000K
Lumen:	845LM、 884LM、 910LM、 962LM
Source :	2835
Beam Angle:	100°
Applicable Environment:	Dry Location/Damp Location
Cover Type	Aluminum+PC
Color:	White
Light Efficiency:	60-70LM/W
Package:	203*105*195mm
Qty:	1 pcs
N.W.:	460g
G.W.:	600g
Warranty :	5 years
Minimum ambient operating temperature: -20°C	
Maximum ambient operating temperature : 40°C	

02 FEATURES

- . Led source use high bright LED chip, energy saving and pro-environment, lighting stable and long lifespan.
- . Optical-grade PC lampshade, the light is good, anti-aging, difficult to damage;
- . High heat conduction aluminum alloy shell, good heat dissipation, vacuum dust-free spray, anti-corrosion, no stripping
- . Strict waterproof treatment technology, meet international waterproof and dustproof standards
- . Can three-dimensional rotate, wide rotation angle, flexible and convenient adjustment
- . Radiate light protection design, won't affect the lighting effects because of weather

03 LIGHT SOURCE TEST REPORT

Color Parameters:

Chromaticity Coordinate: $x=0.3245$ $y=0.3542$
 Chromaticity Coordinate: $u'=0.1966$ $v'=0.4829$ ($duv=1.01e-02$)
 $T_c=5832K$ Dominant WL: $L_d=526.6nm$ Purity=4.3% Centroid WL: $543.0nm$
 Ratio: R=17.3% G=76.1% B=6.6% Peak WL: $L_p=460.0nm$ HWL: $27.6nm$
 Render Index: $R_a=89.0$
 R1 =96 R2 =96 R3 =93 R4 =82 R5 =90 R6 =96 R7 =82
 R8 =78 R9 =59 R10=93 R11=88 R12=64 R13=97 R14=96 R15=88

Photo Parameters:

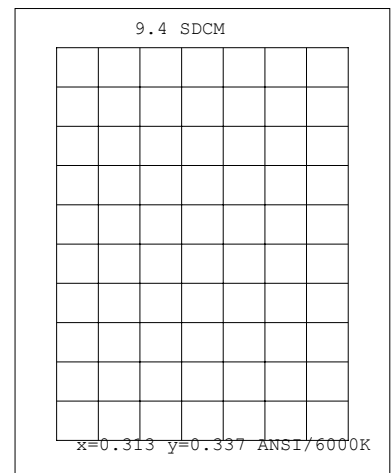
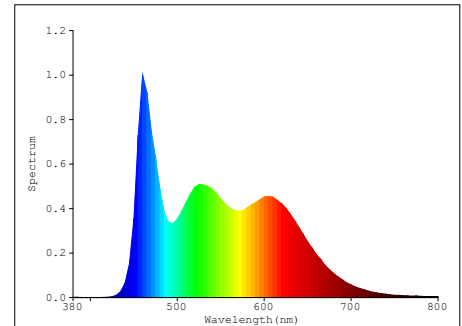
Flux: 1017.7 lm Fe: 3.3332 W Efficacy: 74.42 lm/W

Electrical Parameters:

Luminaire: U=120.4V I=0.1238A P=13.67W PF=0.9179

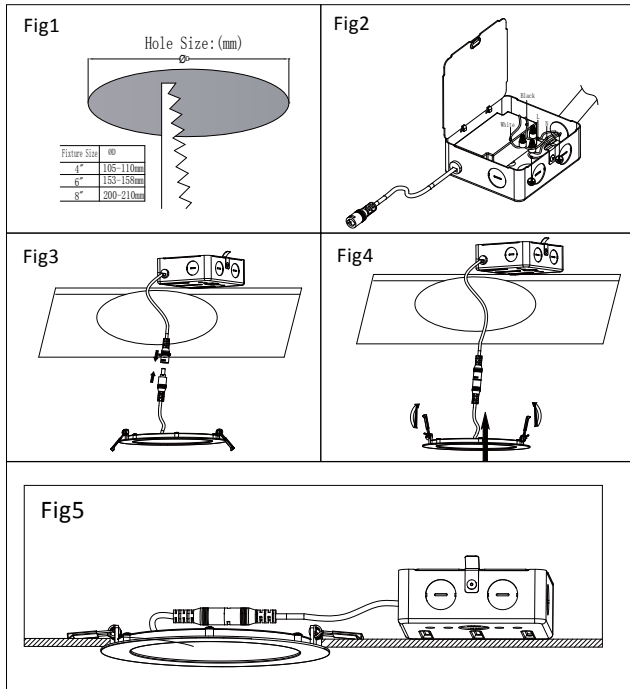
Instrument Status:

Scan Range: 380.0nm-800.0nm Interval: 5.0nm [0] Ip=25337 (G=4, D=54)
 REF=23471 (R=3) %=-0.137% PMT: 23.9 centigrade [150.0]



Shenzhen LanHe Lighting Co.,Ltd.

04 INSTALLATION METHOD



Warning: Risk of electrical shock

Turn off electrical power at fuse or circuit breaker box before wiring fixture to the power supply. Verify that supply voltage is within right and reasonable limits. Connect the fixture with 100-277V 50/60Hz power supply; Make all electrical and grounded connections in accordance with the National Electrical Code and applicable local code requirements;

All wiring connections should be capped with UL approved wire connections.

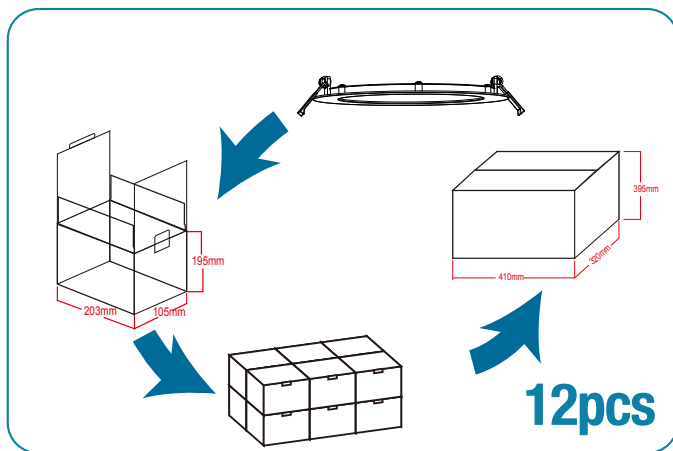
Warning: Risk of burn

Wear gloves and safety glasses at all times when moving luminaire from carton, installing, servicing or performing maintenance; Avoid direct eye exposure to the light source while it is on. LED lights are very bright. Do not stare LED light beam in any case. Or this may cause irreparable damage to the eyes.; Allow fixture to cool before handling. Do not touch enclosure or light source; Do not exceed maximum wattage marked on luminaire label.

Warning: beware of fire

Keep combustible and other materials that can burn away from lamp/lens.

05 PACKAGING



Product Name	LED Slim Downlight
Product Model	KDN-YCB-17-M13W-90
Package Size:	203*105*195mm
N.W.:	450g
G.W.:	600g
Carton Size:	410*320*395mm
N.W.:	7.2Kg
G.W.:	8.7Kg
Qty.:	12pcs
20' gp Size	5898x2352x2393mm
Packing Terms For 20' gp:	13*7*5
Qty For 20' gp:	455
40' gp Size	12032x2352x2393mm
Packing Terms For 40' gp:	28*7*5
Qty For 40' gp:	980

06 Measurement

